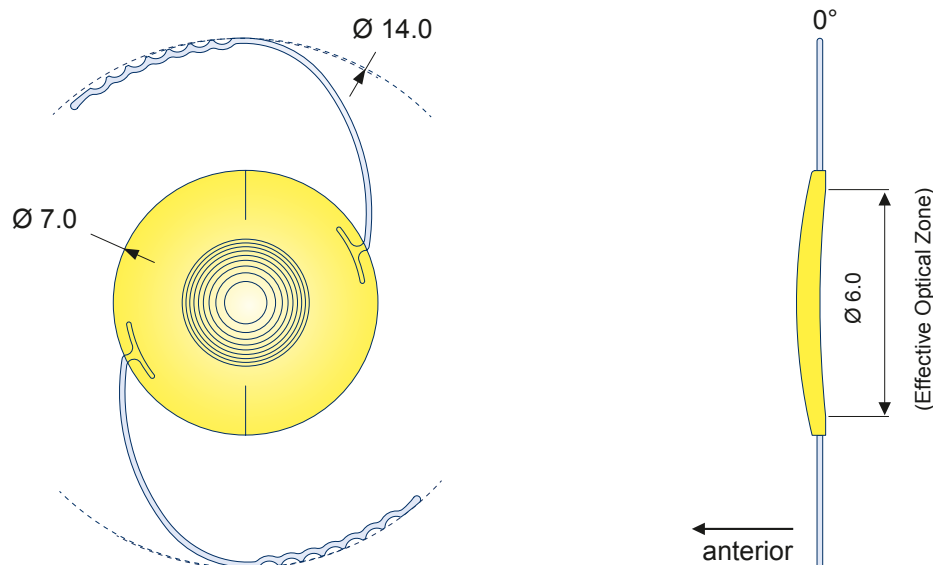


ToricaDiff-sPBY



on a scale of 5:1

Technical Information

Type	Toric Multifocal Posterior Chamber Add-On IOL with Blue Light Protection (Three-Piece, Foldable) for Sulcus Fixation in Pseudophakic Eyes
Optic Material	Silicone Elastomer with UV-Absorber and Yellow Colouring Agent
Haptic Material	High Molecular PMMA
Haptic Shape	Modified C-Loop (Undulated)
Optic Shape	Diffraction Anterior Surface, Toric Posterior Surface (≈ Aberration Free)* Convex-concave with Round Anterior Optic Edge to Prevent Iris Irritation
Power	in 0.5 D steps: -3.0 D to 3.0 D
Cylinder Range	in 0.5 D steps: 1.0 D to 4.0 D
	Availability depending on combination of sphere and cylinder. More details on diopter categories see page 2
Near Addition	+ 3.5 D (on IOL plane)
A-Constant (est.)	Not Applicable (by Application Principle)
Cylinder Axis	The Two Thin Diametrically Opposed Lines in the Periphery of the Optic Indicate the Axis of the Plus-Cylinder

HumanOptics AG

Spardorferstraße 150
91054 Erlangen

Phone: +49 (0) 9131 / 50665-0
Fax: +49 (0) 9131 / 50665-90

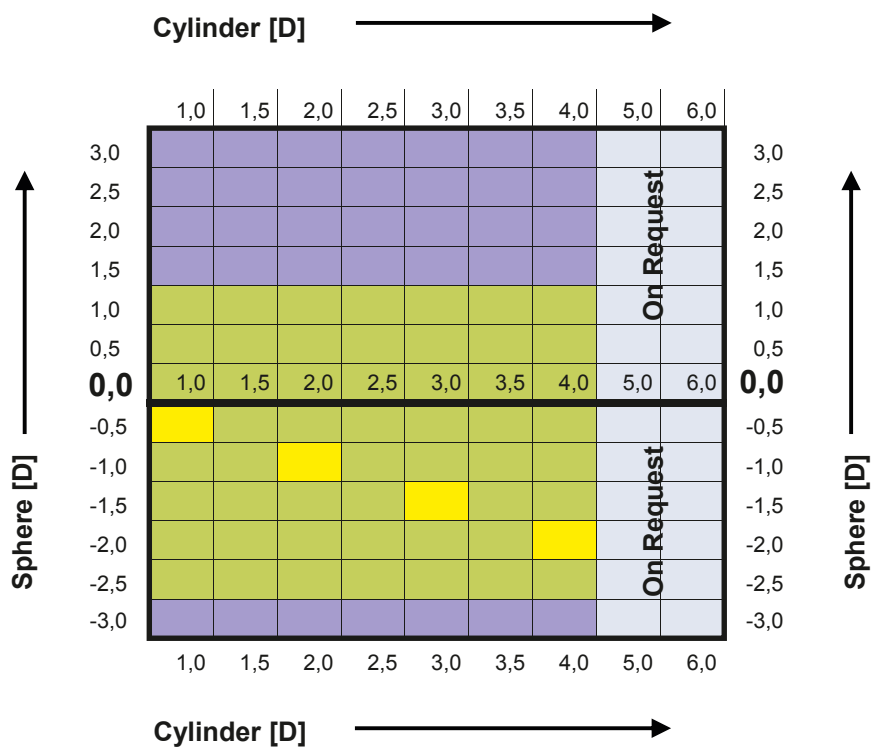
www.humanoptics.com
mail@humanoptics.com

03/2011

* The word „aberration“ as used in this document is interpreted as „spherical aberration“

Dioptr Category – ToricaDiff-sPBV

	Standard	IOLs with spherical equivalent of 0.0 D
	Special	
	Customized	



The dioptr category does not indicate any conclusion related to availability. The delivery time of single powers might vary and is subject to change.